



POWERFUL 3-D PERSPECTIVE TECHNOLOGY

The **XR3D-60** is an easy to operate, single source scanner that provides operators with extremely detailed, more revealing images, enhanced detection capabilities and a very low cost of ownership.

With a tunnel opening of 24.2" wide by 16.7" high (615 mm x 425 mm), the XR3D-60 is the ideal solution for a variety of usages such as for critical infrastructures, transportation and border operations where screening of parcels and bags is required.

VOTI's scanners employ innovative new feature sets to deliver exceptional threat detection capabilities. Through an advanced ergonomic interface, operators can manipulate and enhance scanned images in a variety of ways to better pinpoint and evaluate potential threats. The overall threat detection process is enhanced automatically, by a suite of software guided tools and feature sets, including extended, configurable threat libraries.

PRODUCT HIGHLIGHTS

- 3-D Perspective Dual Energy Imaging
- Icon-driven GUI with LCD touch screen
- Threat alert and material classification
- Automatic Risk Assessment
- One-touch, Instant View Last Five Bags
- Dynamic Pseudo Density Layering
- Multilingual operation
- Auto archiving
- Network-Ready

General Specifications

Dimensions:	Length (L): 84.9" (2156 mm)
	Height (H): 55.1" (1400 mm)
	Width (W): 32.7" (829 mm)
Conveyor Height:	30" (763 mm) from floor
Tunnel size:	24.2" by 16.7" (61.5 cm x 42.5 cm)
Max. object size:	23.6" by 15.7" (600 mm x 400 mm)
Conveyor speed:	44'/min. (0.22 m/s) variable speed, bi-directional
Conveyor load:	352 lbs (160 kg) max. evenly distributed weight
Approx weight:	882 lbs (400 kg)
System power:	110-240 VAC 5-10 amps.

X-ray Generator and Image Performance

Generator:	Single generator operating at 160 kV
Cooling:	Sealed oil bath
Orientation:	Diagonal upwards
Duty cycle:	100%
Detectors:	Dual energy silicone photo diodes for color coding and material classification
Wire resolution:	Up to 40 AWG
Steel penetration:	Up to 37 mm

Computer Specifications

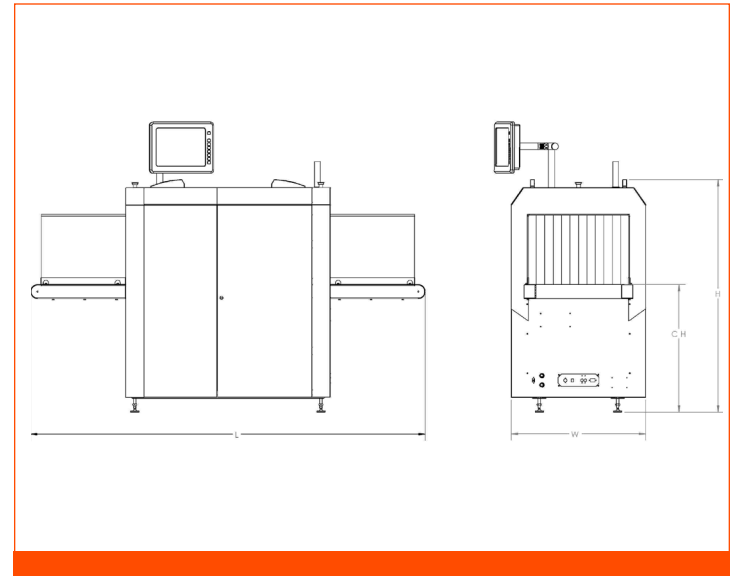
Networking:	RJ45 network connection port, USB storage port for external storage and portable media
Monitor:	22" colour LCD, touch screen Resolution: 1280 x 1024

Operating Environment

Storage temperature:	-20 to 60°C
Operating temperature:	0 to 40°C
Relative humidity:	Up to 95% non-condensing

Compliance

USA FDA 21 CFR 1020.40
 Health Canada Radiation Emitting Devices Act
 Maximum X-ray leakage of less than 5 µSv/h (0.5 mR/h) measured at 5 cm from any external surface. (European standard - less than 1 µSv/h (0.1 mR/h) measured at 10 cm from any external surface)
 UK Health & Safety at Work Act 1974-6 (Amended by the Consumer Protection Act 1987)
 Film safety: ISO 1600/33 DIN
 CE Compliant: 2006/95/EC, 2006/42/EC, 2004/108/EC
 UL Listed NYQD7



STANDARD FEATURES

- 3-D perspective dual energy imaging
- LCD touch screen
- Multilingual operation
- Auto-archiving (over 70,000 sessions)
- One-touch instant view of last 5 bags
- Fully automatic, software-driven tube seasoning
- Network ready
- Automatic built in test & self diagnosis
- Scanned object counter
- Archive management module
- Administration module
- Secure access key
- Operator training image library
- Uninterruptable power supply (UPS)
- Bi-directional scanning
- VOTI-IMAGE
 - Image Edge Enhancement (IEE)
 - Black & white and inverse video
 - Variable contrast control
 - Digital zoom to 64x, pan and flip
 - Dynamic Pseudo Layering
- VOTI-MAT
 - Z^{eff} color image
 - Organic / inorganic stripping
 - Z^{eff} based calculation
- VOTI-DENS
 - Automatic High Density Alert (HDA)
 - HD and VHD enhancement

MODULES & OPTIONS

- VOTI-ALERT
 - Threat assessment management system with automatic threat alert and material classification
 - Inspection & Tagging Recommended (ITR)
 - Area of Interest Highlighting (AIH)
- VOTI-RAM
 - Risk Assessment Management (RAM) Module with customizable operation and detection parameters
 - 5 Security Levels
- VOTI-RAV
 - Remote Archive Viewer and secondary screening of up to 5 VOTI x-ray scanners
 - Backup storage/archiving of scans
- VOTI-TIP
 - TIP Management Software with image libraries
- VOTI-LAB
 - Specialized module for advanced threat analysis
- VOTI-PMM
 - Auto-detection of precious metals such as gold and platinum
- Extended roller tables
- Extended shrouds (50cm)
- Pressure sensitive mat
- Second LCD touch screen
- Toggled generator voltage control
- Power conditioner



BioSans™
Powered